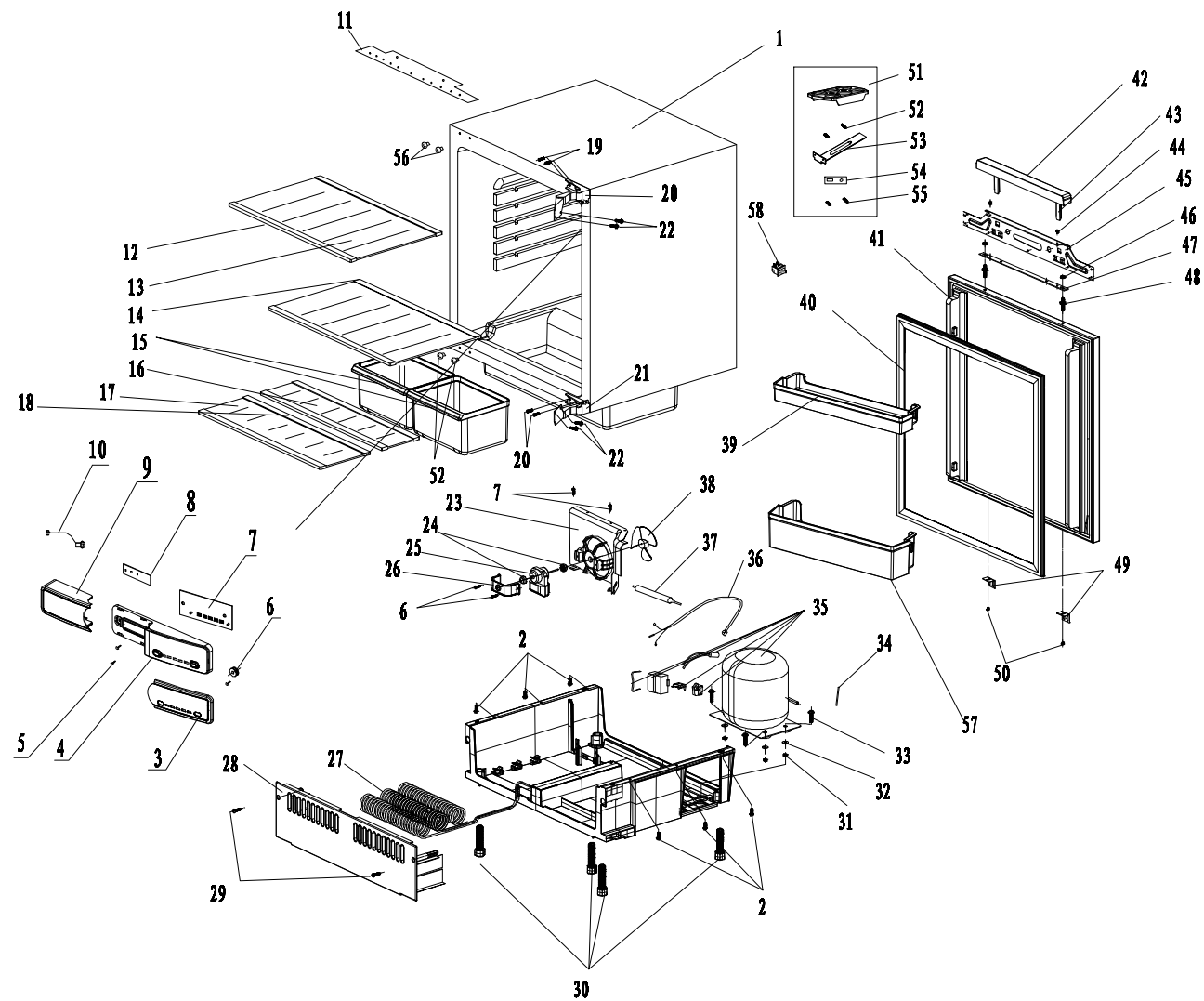


Refrigerator
Model Number
BUFREU_UK
Parts Manual



Parts List

ID No	Apelson Code	Part Code	Part Description	Qty
1	AA0000001695	2.00.TQ020153-A	FOAMED CABINET	1
2	112B48160AB4	1.12.B48160-AB4	SELF TAPPING SCREW	4
3	AA0000001660	1.06.TQ4471-324	TEMPERATURE CONTROL BOX COVER	1
4	AA0000001661	1.06.TQ4472-324	THERMOSTAT BOX	1
5	62700475	1.12.B39160-AB7	SELF TAPPING SCREW	4
6	60702705	1.06.TQ5570-113	FIXING BASE	1
7	AA0000001696	1.27.01D0XX-324	MAIN CONTROL BOARD	1
8	AA0000001663	1.30.3D360X-302	LED LAMP	1
9	AA0000001664	1.06.TQ4470-324	LAMP COVER	1
10	AA0000001665	1.36.DTQ101-325	CONNECTING	1
11	AA0000001678	2.24.1410102-01	TOP FIXIATION PANEL	1
12	AA0000001666	1.06.TQ1976-101	SHELF FRONT LINER	4
13	AA0000000731	1.42.12TQ39-325	SHELF GLASS	2
14	AA0000000737	1.06.TQ1979-101	SHELF BACK LINER	2
15	60702265	1.06.TQ2370-101	CRISPER	2
16	AA0000001667	1.42.39TQ39-101	CRISPER COVER A	1
17	AA0000001668	1.42.3ATQ39-101	CRISPER COVER B	1
18	AA0000000737	1.06.TQ1979-101	SHELF LINER	2
19	112M50130AB4	1.12.M50130-AB4	DORMANT BOLT	4
20	11101101TQ02	1.11.01101TQ-02	HIGH HINGE	1
21	11103101TQ02	1.11.03101TQ-02	LOWER HINGE	1
22	1.13.M05016-	1.13.M05016-104	SCREW	4
23	60702220	1.06.TQ9J70-101	WIND COWLING	1
24	60501115	1.38.04PF027-01	AIR BLOWER CRASH PAD	2
25	60501115	1.33.DTQ431-100	FAN MOTOR	1
26	64900830	1.11.61TQ027-01	WIND RACK	1
27	AA0000001697	2.20.A0TQ01-101	CONDENSER	1
28	AA0000001669	1.06.TQ9K70-323	FIRST GUARD SHIELD	1
29	62701120	1.12.B48250-AB4	SELF TAPPING SCREW	2
30	60702230	1.06.TQ2121-101	ADJUSTABLE FOOTING	4
31	63500195	1.14.Z06000-006	NUT	4
32	63500195	1.14.Z06000-006	FILLING PIECE	4
33	1.13.G60350-	1.13.G60350-104	FLANGE SCREW	4
34	220B2TQ00000	2.20.B2TQ00-000	CHARGING PIPE	1
35	AA0000001698	1.10.12133E-5XX	COMPRESSOR	1
35	AA0000002269	1.10.22133E-5XX	STARTER	1
35	AA0000002270	1.10.32133E-5XX	PROTECTOR	1
36	69408225	1.28.BD2024-101	POWER LINE	1

37	1460400TQ014	1.46.0400TQ-014	DRYER ASSEMBLY	1
38	106TQ7511027	1.06.TQ7511-027	WIND LEAF	1
39	AA0000002089	1.06.TQ0671-324	UPPER DOOR BALCONY	1
40	60702675	1.39.201102-101	DOOR SEAL	1
41	AA0000001673	2.01.R1TQ02-325	FOAMED DOOR	1
42	60702240	1.06.TQ9L70-101	DECORATES THE COVER A	1
43	60702245	1.06.TQ9L71-101	DECORATES THE COVER B	2
44	112M05080BF5	1.12.M05080-BF5	FLANGE SCREW	2
45	224091580203	2.24.0915802-03	JUNCTION PANEL	1
46	63500195	1.14.Z06000-006	NUT	2
47	224091580202	2.24.0915802-02	ADJUSTMENT BOARD	1
48	62701105	1.13.Z60035-105	ADJUSTER BOLT	2
49	1.11.75101TQ	1.11.75101TQ-02	FIXED BLOCK	2
50	113M60080104	1.13.M60080-104	FLANGE SCREW	2
51	1.06.TQ0421-	1.06.TQ0421-034	EGG SHELF	1
52	1.13.M50130-	1.13.M50130-104	FLANGE SCREW	2
53	69409680	1.11.82105TQ-05	CONNECTING PIN	1
54	69409685	1.11.76101TQ-01	ADAPTING PIECE	1
55	112M39120MS4	1.12.M39120-MS4	SELF TAPPING SCREW	18
56	69600600	1.06.TQ2620-142	SCREW HOLE PLUG	8
57	AA0000001679	1.06.TQ0870-324	LOWER DOOR BALCONY	1
58	25104275	1.29.11X101-000	DOOR SWITCH	1