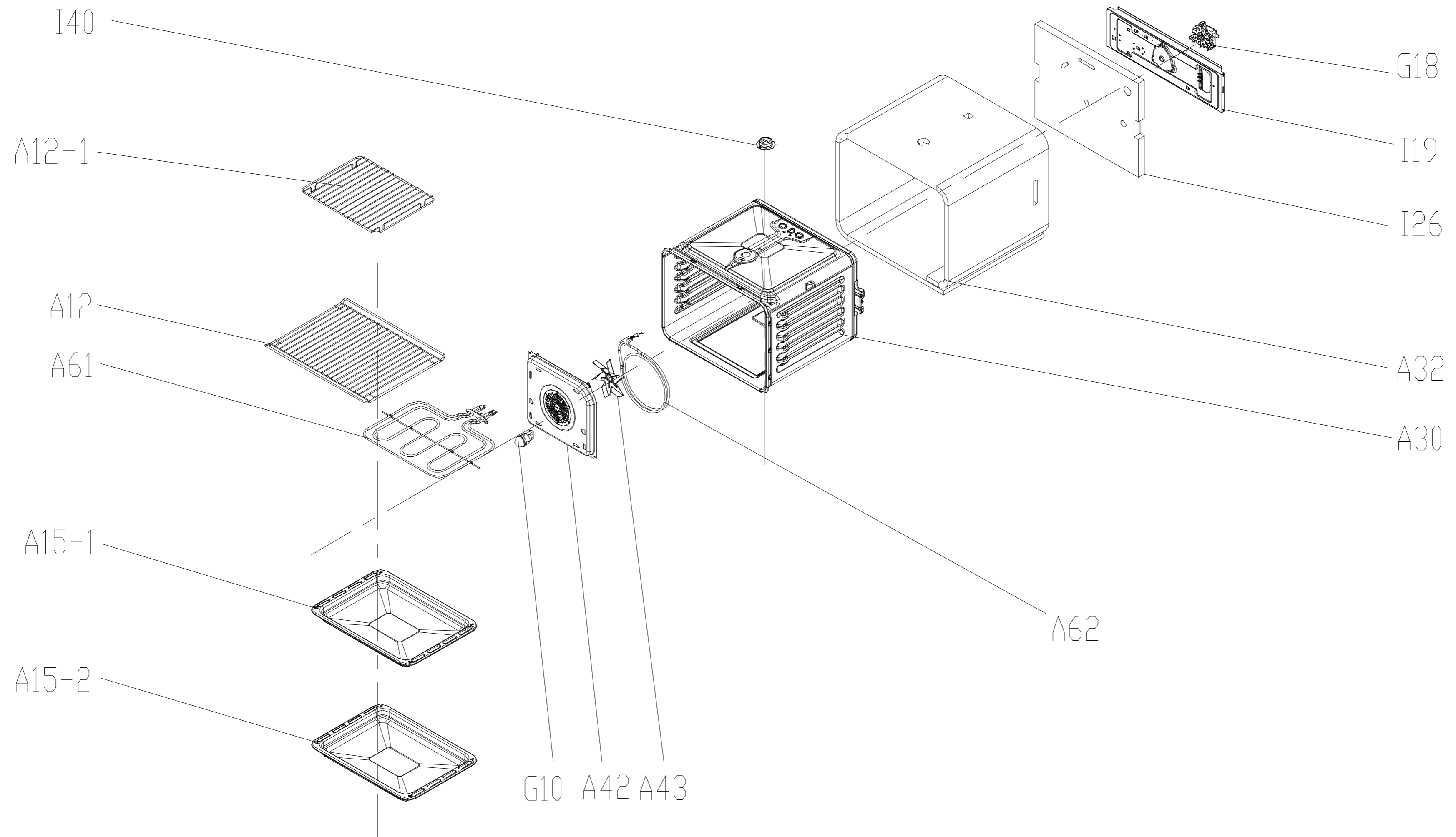
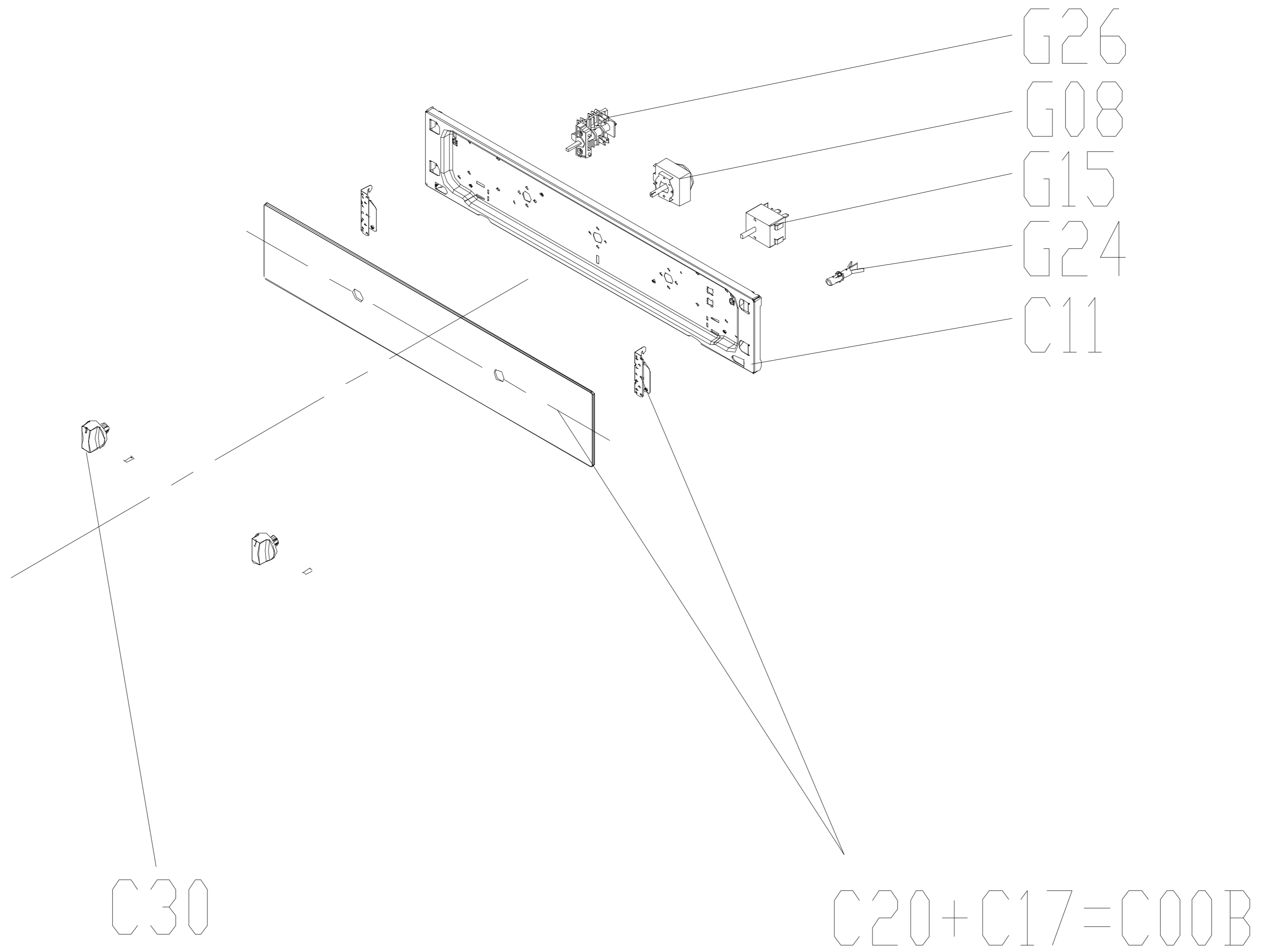
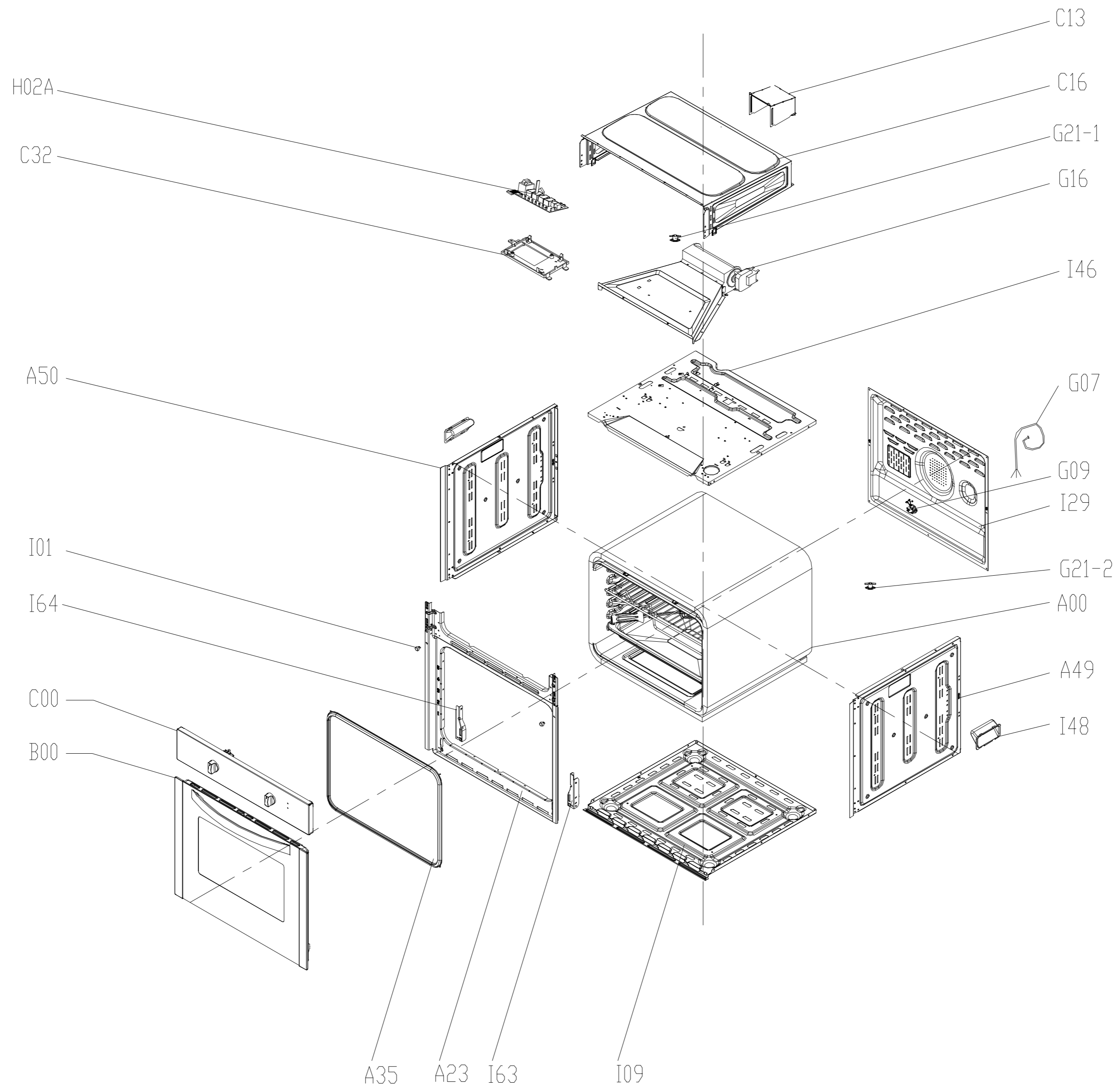
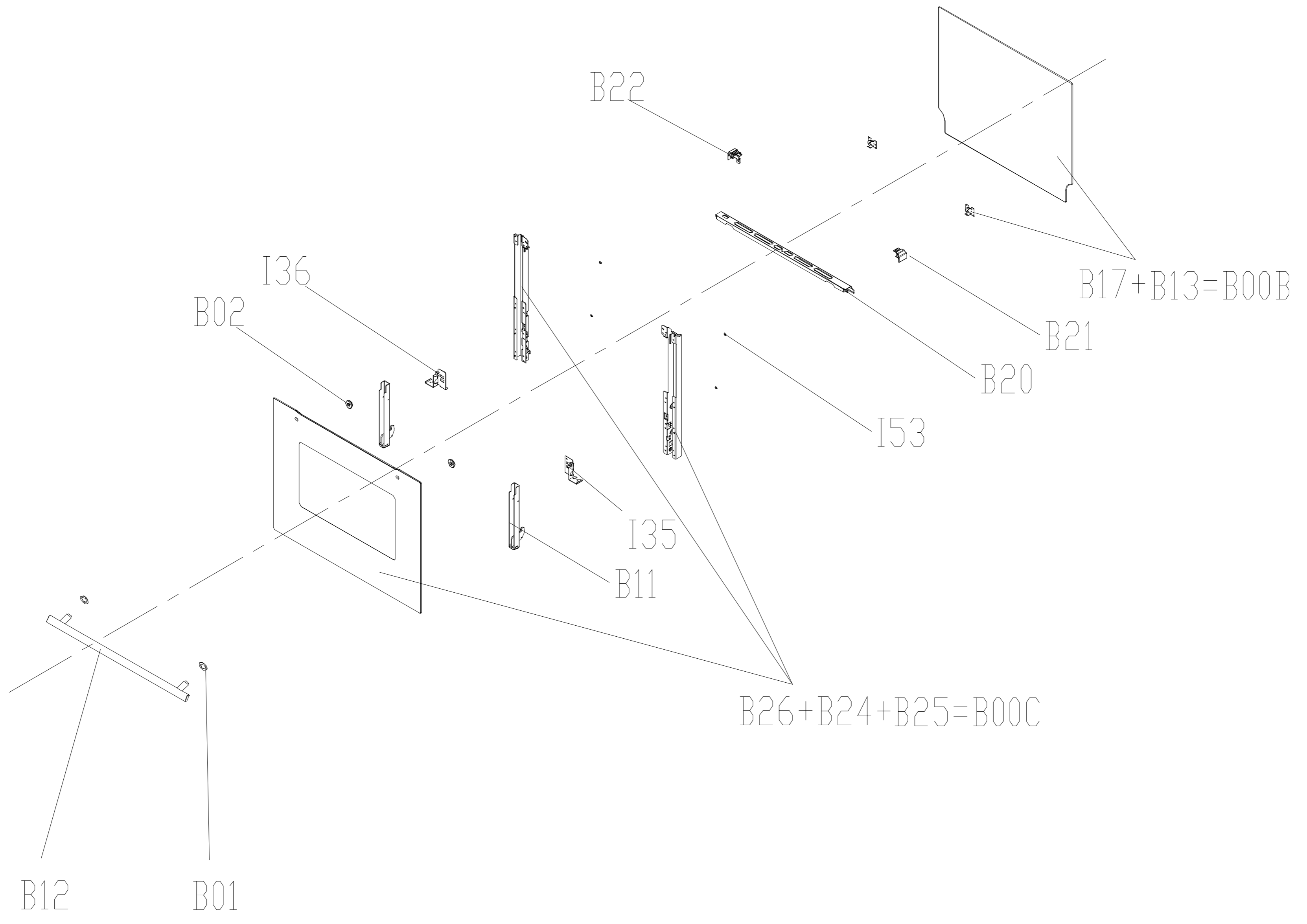


CLOV65 Parts Manual









ID No	Part Description	Qty	Apelson Code	Part Number
A23	FRONT PLATE	1	AA0000000034	12271100001474
A35	CAVITY SEALING RING	1	60501335	12671100000394
A49	ENCLOSER (RIGHT)	1	AA0000000475	12271100005230
A50	ENCLOSER (LEFT)	1	AA0000000476	12271100005237
B00	DOOR ASS'Y	1	CLOV65XDR	CLOV65XDR
C00	CONTROL PANEL ASS'Y	1	CLOV65XCP	CLOV65XCP
C13	CONTROL PANEL BACK COVER	1	122711000050	12271100005023
C16	CONTROL PANEL COVER	1	AA0000000038	12271100005021
G07	POWER CORD	1	AA0000000039	17471100000108
G09	TERMINAL BLOCK	1	AA0000001609	17471100004383
G16	COOLING FAN MOTOR	1	AA0000001996	17471100000156
G21-1	THERMOSTAT 55°C	1	AA0000001521	17471100002795
G21-2	THERMOSTAT 250°C	1	62101065	17471100002796
I01	FASTENER ASSEMBLY	1	AA0000000041	12971100001049
I09	FOLLOWING ENCLOSER	1	AA0000000896	12271100010545
I29	BACK COVER	1	122711000052	12271100005233
I46	TOP COVER	1	AA0000000903	12271100010547
I48	HANDLE BOX	2	AA0000000044	12171100000295
I63	HINGE FIXED FRAME (RIGHT)	1	129711000004	12971100000470
I64	HINGE FIXED FRAME (LEFT)	1	129711000005	12971100000534
H02A	POWER BOARD A	1	AA0000001997	17171100002763
C32	POWER BOARD BRACKET	1	AA0000001998	12171100003423
A12	BAKE RACK	1	AA0000001999	12971100000625
A12-1	BAKE TRAY RACK	1	AA0000000469	12971100014302
A15-1	BAKE TRAY (DEEP)	1	AA0000000046	12271100003072
A30	CAVITY	1	AA0000002000	12271100010685
A32	CAVITY INSULATION	1	AA0000000047	12471100000049
A42	CONVECTION MOTOR COVER	1	AA0000000898	12271100002151
A43	CONVECTION FAN BLADE	1	129711000010	12971100001067
A61	METAL HEATING ELEMENT (TOP)	1	AA0000002001	17471100000573
A62	TURBO HEATING ELEMENT	1	261201702190	17471100000261
G10	LAMP	1	25108825	17471100002113
G18	CONVECTION MOTOR	1	AA0000000899	17471100000162
I19	INSULATION COVER	1	AA0000000052	12271100005013
I26	BACK INSULATION	1	AA0000000053	12471100000008
I40	EXHAUST PIPE	1	AA0000000900	12271100010565
B01	DOOR HANDLE CUSHION	2	AA0000002002	12671100000012
B02	HANDLE SUPPORT	2	121711000001	12171100000172
B11	DOOR HINGE ASS'Y	2	291502100015	12971100000889
B12	DOOR HANDLE	1	AA0000002003	12971100000997
B20	DOOR FRAME UP COVER	1	AA0000002004	12271100004966

B21	DOOR FRAME TOP DECORATE(RIGHT)	1	AA0000001618	12171100000715
B22	DOOR FRAME TOP DECORATE(LEFT)	1	AA0000001619	12171100000708
I35	HINGE BRACKET(RIGHT)	1	AA0000001626	12971100000436
I36	HINGE BRACKET(LEFT)	1	AA0000001627	12971100000484
I53	RUBBER GASKET	4	AA0000000401	12671100000096
C11	CONTROL PANEL HOLDER	1	AA0000002005	12271100000490
C30	KNOB	2	AA0000002006	12171100001594
G15	ENERGY CONTROLLER	1	AA0000002007	17471100001673
G24	INDICATOR	1	291202300004	17471100000213
G26	SWITCH ON-OFF	1	AA0000002008	17471100003882
ID No	Part Description	Qty	Apelson Code	Part Number
A23	FRONT PLATE	1	AA0000000034	12271100001474
A35	CAVITY SEALING RING	1	60501335	12671100000394
A49	ENCLOSER (RIGHT)	1	AA0000000475	12271100005230
A50	ENCLOSER (LEFT)	1	AA0000000476	12271100005237
B00	DOOR ASS'Y	1	CLOV65XDR	CLOV65XDR
C00	CONTROL PANEL ASS'Y	1	CLOV65XCP	CLOV65XCP
C13	CONTROL PANEL BACK COVER	1	122711000050	12271100005023
C16	CONTROL PANEL COVER	1	AA0000000038	12271100005021
G07	POWER CORD	1	AA0000000039	17471100000108
G09	TERMINAL BLOCK	1	AA0000001609	17471100004383
G16	COOLING FAN MOTOR	1	AA0000001996	17471100000156
G21-1	THERMOSTAT 55°C	1	AA0000001521	17471100002795
G21-2	THERMOSTAT 250°C	1	62101065	17471100002796
I01	FASTENER ASSEMBLY	1	AA0000000041	12971100001049
I09	FOLLOWING ENCLOSER	1	AA0000000896	12271100010545
I29	BACK COVER	1	122711000052	12271100005233
I46	TOP COVER	1	AA0000000903	12271100010547
I48	HANDLE BOX	2	AA0000000044	12171100000295
I63	HINGE FIXED FRAME (RIGHT)	1	129711000004	12971100000470
I64	HINGE FIXED FRAME (LEFT)	1	129711000005	12971100000534
H02A	POWER BOARD A	1	AA0000001997	17171100002763
C32	POWER BOARD BRACKET	1	AA0000001998	12171100003423
A12	BAKE RACK	1	AA0000001999	12971100000625
A12-1	BAKE TRAY RACK	1	AA0000000469	12971100014302
A15-1	BAKE TRAY (DEEP)	1	AA0000000046	12271100003072
A30	CAVITY	1	AA0000002000	12271100010685
A32	CAVITY INSULATION	1	AA0000000047	12471100000049
A42	CONVECTION MOTOR COVER	1	AA0000000898	12271100002151
A43	CONVECTION FAN BLADE	1	129711000010	12971100001067
A61	METAL HEATING ELEMENT (TOP)	1	AA0000002001	17471100000573
A62	TURBO HEATING ELEMENT	1	261201702190	17471100000261

G10	LAMP	1	25108825	17471100002113
G18	CONVECTION MOTOR	1	AA0000000899	17471100000162
I19	INSULATION COVER	1	AA0000000052	12271100005013
I26	BACK INSULATION	1	AA0000000053	12471100000008
I40	EXHAUST PIPE	1	AA0000000900	12271100010565
B01	DOOR HANDLE CUSHION	2	AA0000002002	12671100000012
B02	HANDLE SUPPORT	2	121711000001	12171100000172
B11	DOOR HINGE ASS'Y	2	291502100015	12971100000889
B12	DOOR HANDLE	1	AA0000002003	12971100000997
B20	DOOR FRAME UP COVER	1	AA0000002004	12271100004966
B21	DOOR FRAME TOP DECORATE(RIGHT)	1	AA0000001618	12171100000715
B22	DOOR FRAME TOP DECORATE(LEFT)	1	AA0000001619	12171100000708
I35	HINGE BRACKET(RIGHT)	1	AA0000001626	12971100000436
I36	HINGE BRACKET(LEFT)	1	AA0000001627	12971100000484
I53	RUBBER GASKET	4	AA0000000401	12671100000096
C11	CONTROL PANEL HOLDER	1	AA0000002005	12271100000490
C30	KNOB	2	AA0000002006	12171100001594
G15	ENERGY CONTROLLER	1	AA0000002007	17471100001673
G24	INDICATOR	1	291202300004	17471100000213
G26	SWITCH ON-OFF	1	AA0000002008	17471100003882