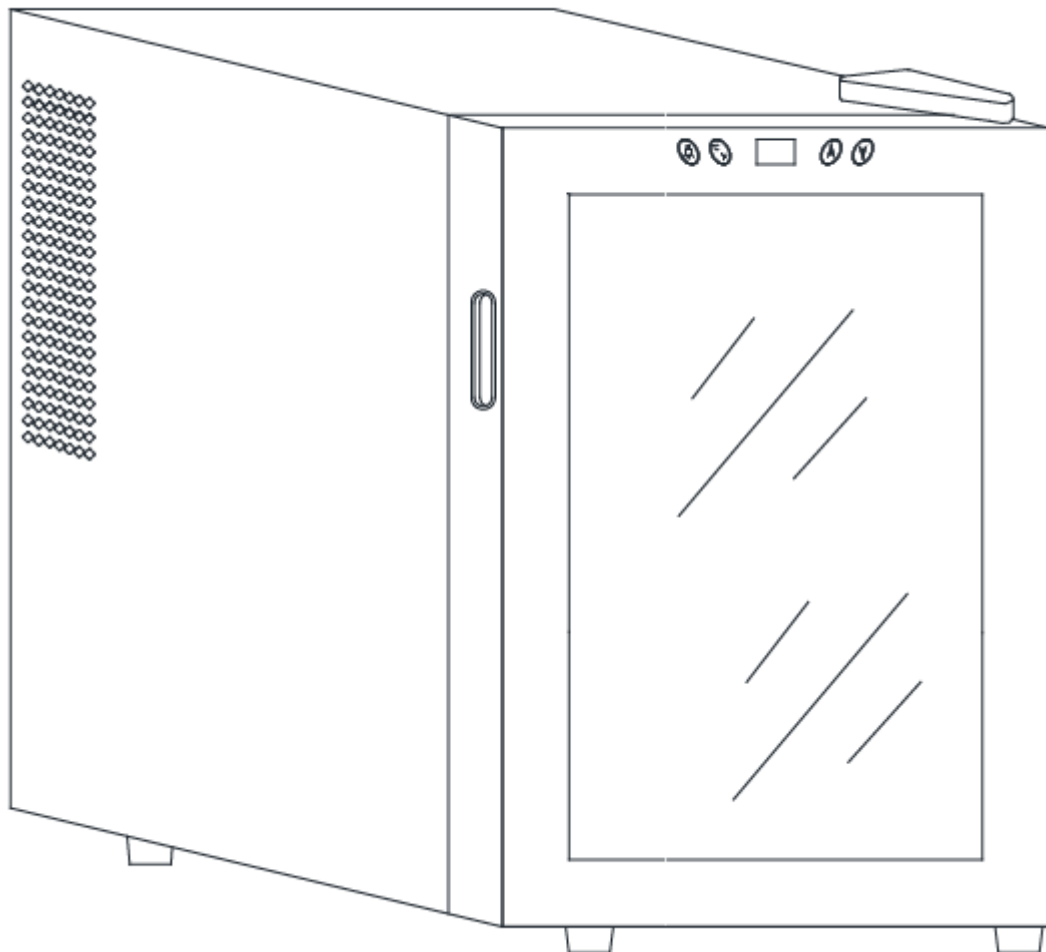


THERMOELECTRIC WINE COOLER

Model No: CW-33



Operation Manual Index

I. General Safety Precautions.....	2
II. Technical Data.....	3
III. Illustrated Structure.....	3
IV. Electric Principle Diagram.....	4
V. Operation	4
VI. Particular Precautions.....	5
VII. Maintenance.....	5
VIII. Troubleshooting.....	6

I. GENERAL SAFETY PRECAUTIONS

- After removing the wine cooler from the package, make sure it is in good condition. In case of doubt, do not use it and contact an authorized service center.
- Plastic bags, nails, etc. Should be kept out of the reaching of children. Read the operation manual carefully and check that the rating data on the rating nameplate corresponds to your power supply.
- This wine cooler can only be used in the use of which it was designed. The manufacturer will not respond for any damage due to improper use or repairs made by unqualified personnel.
- Before cleaning the cooler, make sure it is unplugged. Never clean the unit with an acid preparation, medical, dilution, gasoline, oil or any other kind of chemical substance that could damage the wine cooler.
- Repair should only be made by authorized service centers.
- **Caution**
 1. To reduce the risk of fire, when the fuse of the power board was broken, replace only with same type fuse by authorized service centers.
 2. Free standing installation only
 3. Do not use extension cords.
 4. Danger: Risk of child entrapment. Before throwing away your old wine cooler, you must note: a. Take off the door; b. Leave the shelves in place, so that children may not easily climb inside.

This appliance can be used by children aged from 8 years and above and persons with reduced physical, sensory or mental capabilities or lack of experience and knowledge if they have been given supervision or instruction concerning use of the appliance in a safe way and understand the hazards involved. Children shall not play with the appliance. Cleaning and user maintenance shall not be made by children without supervision.

This appliance is intended to be used in household and similar applications such as

- staff kitchen areas in shops, offices and other working environments;
- farm houses and by clients in hotels, motels and other residential type environments;
- bed and breakfast type environments;
- catering and similar non-retail applications.

If the supply cord is damaged, it must be replaced by the manufacturer, its service agent or similarly qualified persons in order to avoid a hazard.

Do not store explosive substances such as aerosol cans with a flammable propellant in this appliance.

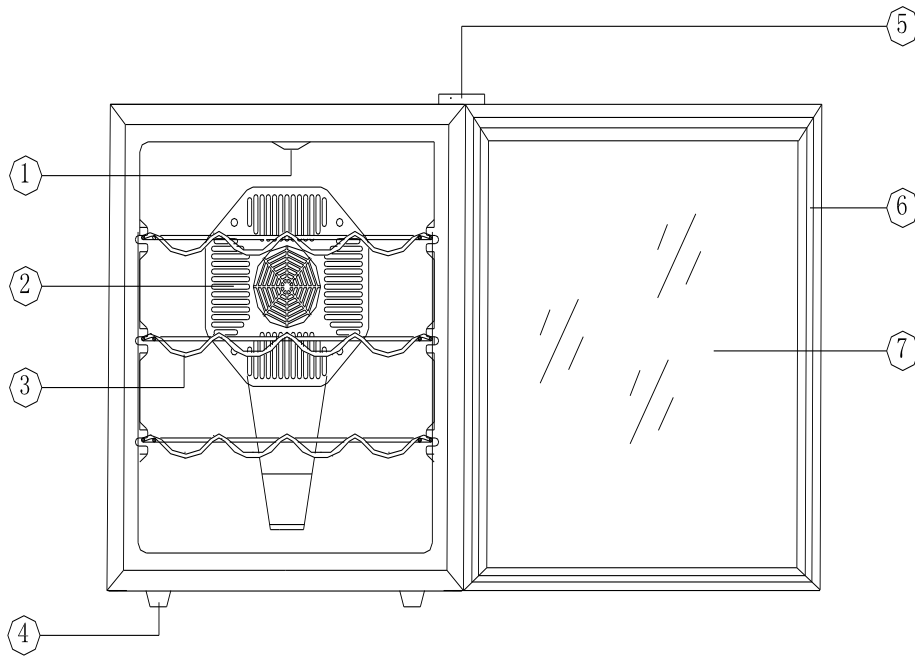
II. TECHNICAL DATA

Type	CW-33	
Category	10	
Energy efficiency class	B	
Annual Energy Consumption, A _{Ec} *	164kWh/y	
Volume (liter)	33L	
design temperature	17°C	
Climate Class **	SN(Temperate broad) N(Temperate)	
Rated Noise	37 dB(A)	
Material	Case	Iron
	Door	Glass
Unit Dimension (W×H×D)(mm)	345*490*470	
Packaging Dimension(W×H×D)(mm)	385*525*495	
Net Weight (Kg)	11.5	
Gross Weight (Kg)	12.6	
Energy Consumption	0.447 kWh/24h (25°C)	
Temperature Range	11-18(±1) °C	
Rated Voltage	220-240V	
Rated Frequency	50HZ	
Input power	70W	
Protection class	I	

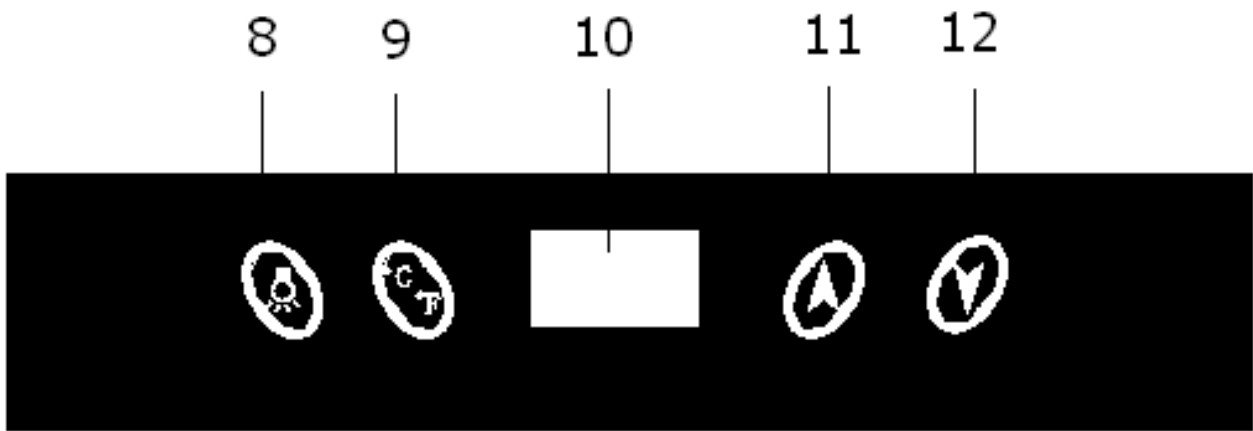
* based on standard test results for 24 hours. Actual energy consumption will depend on how the appliance is used and where it is locate.

** This appliance is intended to be used at an ambient temperature between 10 °C and 32°C.

III. ILLUSTRATED STRUCTURE

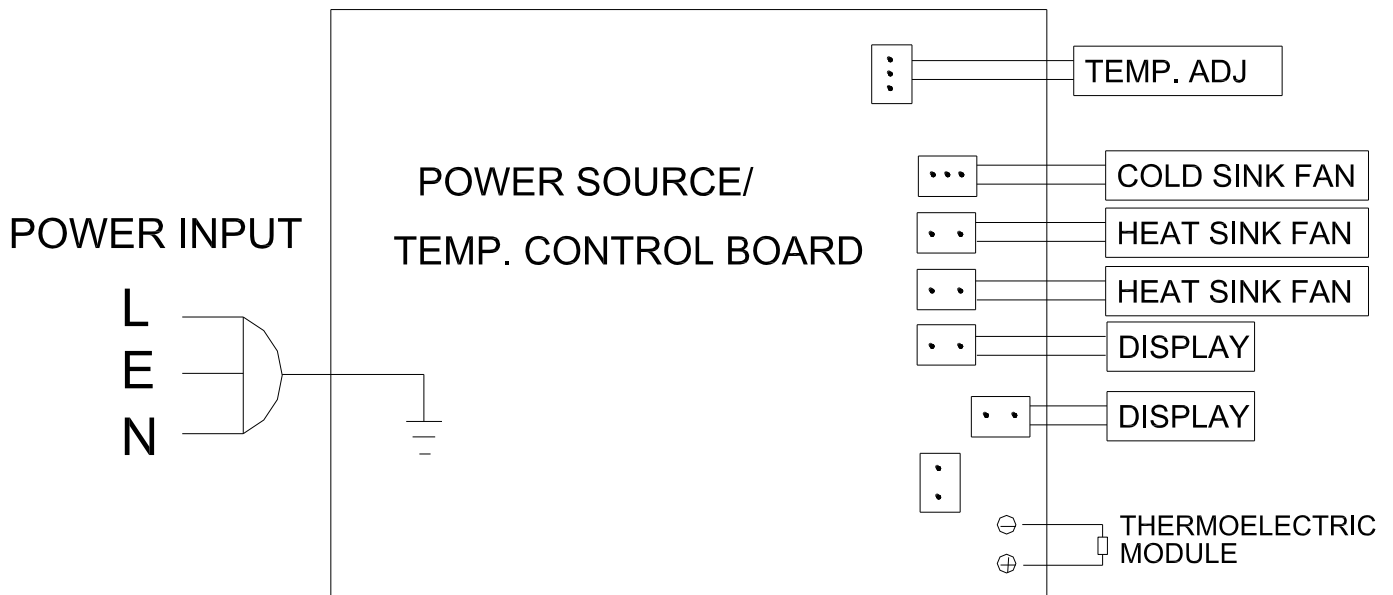


- 1. Light
- 2. Fan Mask
- 3. Shelf
- 4. Foot
- 5. Hinge Cover
- 6. Glass Door
- 7. Magnetic Door Seal






- 8. Light button
- 9. C/F button
- 10. LCD display
- 11. Set temp up button
- 12. Set temp down button

IV. ELECTRIC PRINCIPLE DIAGRAM



V. OPERATION OF WINE COOLER

- The ideal working temperature is under the room temperature of 25°C, under this condition the appliance can be adjusted in the range of 11°C—18°C (± 1°C).
- The temperature inside the unit can be cooled to 15°C after 1.5 hours when it is empty load, and 1.5~2.5 hours more will reach to your favorite (setting) temperature.
- When the power is connected, cooling system starts to work.
- The temp you want can be setted by touching “” and “” with your finger. When the inside temperature higher than the setting point Cooling system will be work normally. When the inside temperature lower than the setting point, cooling system stop working. And the inside temperature will be rise. When it raises above the set point, Cooling System starts to work again, the cellar enters into cooling circles.
- If you want to display the temperature in Fahrenheit (F) or Celsius (C), you can change it by touching °C/°F button.
- The Light can be turned OFF or ON by touching 

NOTE:

After you setting the temperature, the LCD display will return to show the temperature in the cooler, but it could turn to the point that you have set gradually.

VI. PARTICULAR PRECAUTIONS

- In order to function at its potential, this wine cooler needs to be placed on flat floor, with 2cm spaces at each side and 10cm at the backside.
- Use the adjustable (iron case) to place the cooler fully horizontal.
- Avoid direct sunshine and carry high temperature.
- Hot food should be cooled down before placing in the cooler .
Do not mix uncooked food with cooked food.
- Do not place heavy articles on the top of the cooler.

VII. MAINTENANCE

- Shut off power supply before cleaning cabinet.
- Take out wines and shelves, and then clean the cabinet with soda water first and with clean water last.
- Do not use soap or detergent for the cabinet.
- Clean the wine cooler regularly.

VIII. TROUBLESHOOTING

Symptoms	Possible cause	Solutions
No cooling	<ul style="list-style-type: none"> ● Plug not put in ● Low voltage ● Fuse broken 	<ul style="list-style-type: none"> ● Put in the plug ● Ensure normal voltage ● Change fuse
Not cold enough temperature inside	<ul style="list-style-type: none"> ● The wine cooler is placed too near heat source; ● Bad ventilation; ● Fans don't work; ● The door is not closed tightly or opened too frequently or for too long time; 	<ul style="list-style-type: none"> ● Keep the wine cooler away from sunshine or other heat source; ● Place the wine cooler in the area with good ventilation and keep things away from the fans; ● Check whether the plug is connected or change the fan; ● Close the door tightly and don't open the door too frequently or for too long time.
Peculiar smell inside wine cooler	<ul style="list-style-type: none"> ● Check whether there is any sour inside 	<ul style="list-style-type: none"> ● Wrap the source or take it out
Inside light flash	<ul style="list-style-type: none"> ● Set temperature higher than inner temperature; ● The automatic defrost function start to work 	<ul style="list-style-type: none"> ● Adjust the adjustor ● Normal function. No repair needed
Frost on the cold sink.	<ul style="list-style-type: none"> ● Too much humidity or too low temperature inside the case 	<ul style="list-style-type: none"> ● Output the plug, stop the power, and defrost by hand, Connect power again when the ice thaws

IX. Recycling and Disposal



This appliance is marked with the classification symbol for Waste Electrical and Electronic Equipment. This marking indicates that this product should not be disposed of

with household waste.

Electrical and electronic appliances must be delivered to an EcoCenter complying with EU Directive 2012/19 / EU to be dismantled and recycled because, because they contain dangerous substances, they pose a threat to the environment and human health. For more information, contact your local or regional authority.

X. GUARANTEE

This product has a warranty period of two years, from the date of purchase.

The guarantee covers malfunctions and malfunctions of the appliance provided that it is used in the context for which it is intended and which is contained in this instruction and use manual. In order for the guarantee to be valid, it is necessary to present the proof of purchase (receipt / invoice), that the appliance is complete and with its accessories.

The warranty does not cover damage caused by normal wear and tear, lack of maintenance, neglect or improper installation, or incorrect use (shocks, failure to observe energy recommendations, storage or use, etc.).

Also excluded from warranty are the consequent damages caused by the use of accessories or parts not original or unsuitable for the purpose of disassembling and transforming the appliance.

Regardless of the guarantee granted, Brico Depot will continue to be responsible for the defects of contract compliance and hidden problems under the Guarantees Law (Decree-Law no. 67/2003, amended by Decree-Law no. 84/2008).