

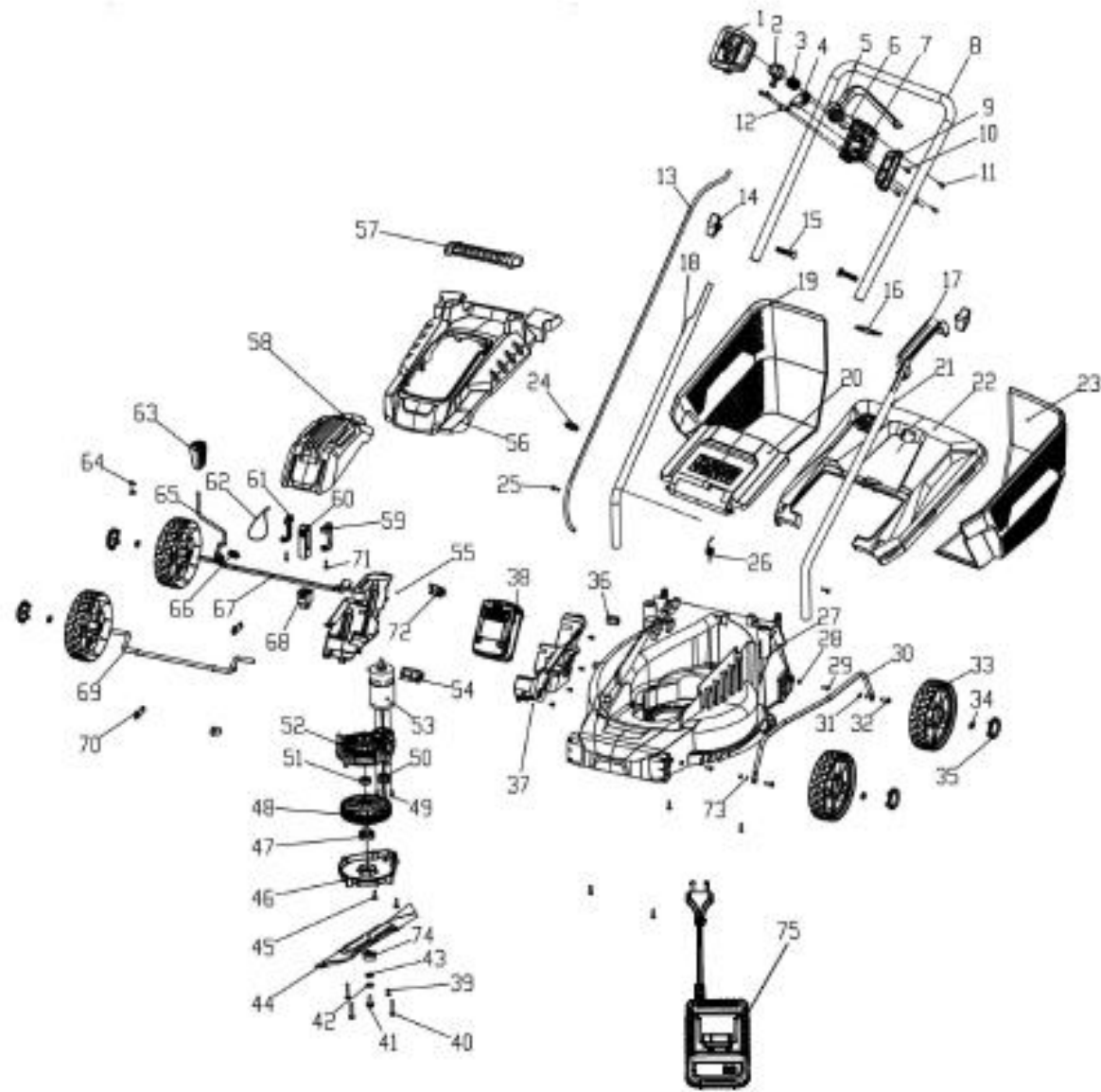
18V 32CM LAWNMOWER

Model Number

NMLM18-Li

Parts Manual

# Exploded Drawing



## Parts List

ID No	AA Code	MPN	Description	Qty
1	GP0000000725	8.41.1790-B	UPPER COVER OF MICROSWITCH BOX	1
2	GP0000000726	8.41.1690	BUTTON OF MICROSWITCH BOX	1
3	GP0000000727	8.34.0550	SPRING OF BUTTON	1
4	GP0000000728	8.63.0190	DOUBEL MICROSWITCH	1
5	GP0000000729	8.41.0961B	TRIGGER OF MICROSWITCH BOX	1
6	GP0000000730	8.34.0275	TORSIONAL SPRING OF TRIGGER	1
7	GP0000000731	8.41.1890	LOWER COVER OF MICROSWITCH BOX	1
8	GP0000000732	8.33.0361A	UPPER HANDLE	1
9	GP0000000733	8.41.1990	FIXED COVER OF MICROSWITCH BOX	1
10	GP0000000734	5.51.0201	CROSS RECESSED PAN HEAD TAPPING SCREWS	2
11	5510101	5.51.0101	CROSS RECESSED PAN HEAD TAPPING SCREWS	13
12	GP0000000372	8.41.5375-0	DIPLOPORE PRESS PLATE	2
13	GP0000000735	8.64.0190	CABLE	1
14	GP0000000736	8.41.2461	BUTTERFLY KNOB	2
15	GP0000000737	5.51.0409	HALF-ROUND SQUARE NECK BOLT	2
16	GP0000000738	8.41.0681	INDICATE CAP	1
17	GP0000000739	8.41.0988	HANDLE OF GRASS BOX	1
18	GP0000000740	8.33.0461	LOWER HANDLE RIGHT	1
19	GP0000000741	8.41.0888	HALF GRASS BOX RIGHT	1
20	GP0000000742	8.41.0588	REAR COVER PLATE	1
21	GP0000000743	8.33.0561	LOWER HANDLE-LEFT	1
22	GP0000000744	8.41.0688	UPPER COVER OF GRASS BOX	1
23	GP0000000745	8.41.0788	HALF GRASS BOX-LEFT	1
24	GP0000000746	8.41.4375	WIRE SLOT	1
25	GP0000000747	5.51.0302	TAPPING SCREW FLAT WASHER ASSEMBLIES	2
26	GP0000000748	8.34.0188	TORSIONAL SPRING OF REAR COVER PLATE	1
27	GP0000000749	8.41.0188B	CHASSIS	1
28	GP0000000750	5.52.0403	JAM NUT	4
29	GP0000000751	5.51.1303	CROSS RECESS PAN HEAD SCREW	4
30	GP0000000752	8.33.0490	HEIGHT ADJUST LEVER	1

31	5520103	5.52.0103	HEXAGON LOCKING NUT	2
32	GP0000000753	5.51.0308	SPECIAL SHAPED BOLT	2
33	GP0000000754	8.41.0488	WHEEL	4
34	GP0000000755	5.53.1799	BEARING HOLDER	4
35	GP0000000756	8.41.1188	WHEEL HUB	4
36	GP0000000757	8.41.3090	CHOCK BLOCK	2
37	GP0000000758	8.41.2490	BATTERY COMPARTMENTS-LEFT	1
38	GP0000000759	NMLM18LI_38	4.0AH BATTERY PACK	1
39	GP0000000760	5.51.0802	TAPPING SCREW FLAT WASHER ASSEMBLIES	1
40	GP0000000761	5.51.0901	CROSS RECESSED PAN HEAD TAPPING SCREWS	3
41	GP0000000762	5.51.1112	BOLT	1
42	GP0000000763	5.53.0106	SPRING WASHER	1
43	GP0000000764	5.53.0102	FLAT WASHER	1
44	GP0000000765	8.33.1178	BLADE	1
45	GP0000000766	5.51.0161	CROSS PAN HEAD SCREW	2
46	GP0000000767	8.41.1590	LOWER COVER OF GEAR BOX	1
47	GP0000000768	5.54.0401	DOUBLE-SIDED DUSTPROOF DEEP GROOVE BALL BEARINGS	1
48	GP0000000769	7.41.2090-5	BIG GEAR	1
49	GP0000000770	5.51.1003	CROSS RECESS PAN HEAD SCREW	4
50	GP0000000771	8.35.0190	SMALL GEAR	1
51	GP0000000772	5.54.0201	DOUBLE-SIDED OIL PROOF DEEP GROOVE BALL BEARINGS	1
52	GP0000000773	8.41.0590	UPPER COVER PLATE OF GEAR BOX	1
53	GP0000000774	8.12.0390	MOTOR	1
54	GP0000000775	8.41.2890	REVERSE CHIP SOCKET	1
55	GP0000000776	8.41.2590	BATTERY COMPARTMENTS RIGHT	1
56	GP0000000777	8.41.2390	UPPER HOUSING	1
57	GP0000000778	8.41.0388	UPPER HANDLE	1
58	GP0000000779	8.41.2290-0	TRANSPARENT COVER	1
59	GP0000000780	8.41.2690	SUPPORT OF TRANSPARENT COVER-LEFT	1
60	GP0000000781	7.41.0979	KEY	1
61	GP0000000782	8.41.2790	SUPPORT OF TRANSPARENT COVER-RIGHT	1
62	GP0000000783	8.45.0379	ANTI-LOST ROPE	1
63	GP0000000784	8.41.1181-B	HANDLE OF CENTRAL LEVER	1

64	GP0000000785	5.51.2201	CROSS RECESSED PAN HEAD TAPPING SCREWS	2
65	GP0000000786	8.33.0590	HEIGHT ADJUST LEVER	1
66	GP0000000787	8.34.0190	SPRING	1
67	GP0000000788	8.33.0390	SHAFT ASSEMBLY OF REAR WHEEL	1
68	GP0000000789	8.41.0879	KEY SEAT	1
69	GP0000000790	8.33.0290	SHAFT ASSEMBLY OF FRONT WHEEL	1
70	GP0000000791	8.33.0690	WHEEL AXLE LEVER	4
71	5510601	5.51.0601	CROSS RECESSED PAN HEAD TAPPING SCREWS	14
72	7411492B	7.41.1492-B	CHIP SOCKET	1
73	GP0000000792	5.53.0340	WAVE WASHER	2
74	GP0000000793	8.41.3390	ANTI-LOST FIX SEAT	1
75	GP0000000794	NMLM18LI_75	2.4A FAST CHARGER-VDE PLUG	1